



	.....	1
	.....	1
	.....	
1-1	.....	
1-1	.....	
1-	.....	
1-	.....	
1-	.....	
1-	.....	11
1-	.....	1
1-	.....	1
1-	.....	1
1-	.....	1
1-10	.....	1
1-11	.....	
1-1	.....	
1-1	.....	
1-1	.....	
1-1	.....	
1-1	.....	0
1-1	.....	
1-1	.....	
	.....	
-1	.....	
-1	.....	
-	.....	0
-	.....	1
-	.....	
-	.....	
-	.....	
-	.....	
-	.....	1
-10	.....	
-11	.....	
-1	.....	
-1	.....	
-1	.....	1
-1	.....	
-1	.....	
-1	.....	
-1	.....	
	.....	0



[ 2014] 55

- 1.
- 2.
- 3.
- 4.

--

--

		1-1	1	1-1	1-1
		-1	1	-1	-1
		-1	1	-1	-1

1

I/O

C

/

Kei I C

2

1

/ /

Kei I C

MCU

/ /

2

6S (

)

/

3

120

4

20		10	0	
				1
				2
		10		3
				4
			5	

10

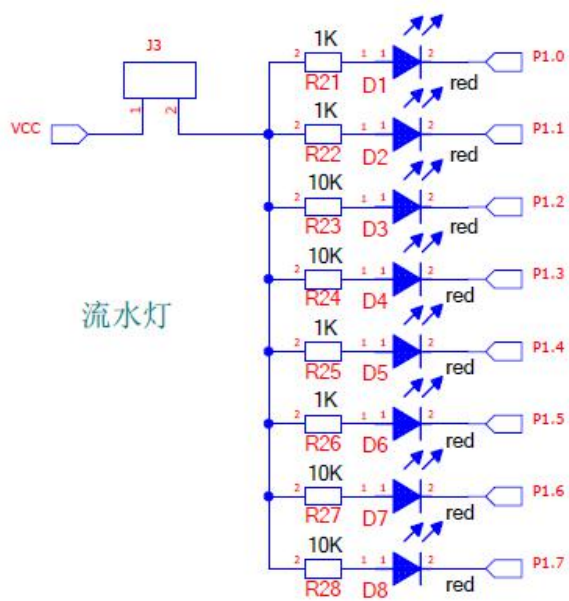
5

30

0



1



2

PCB

E

3

1



2

PCB  
E

3

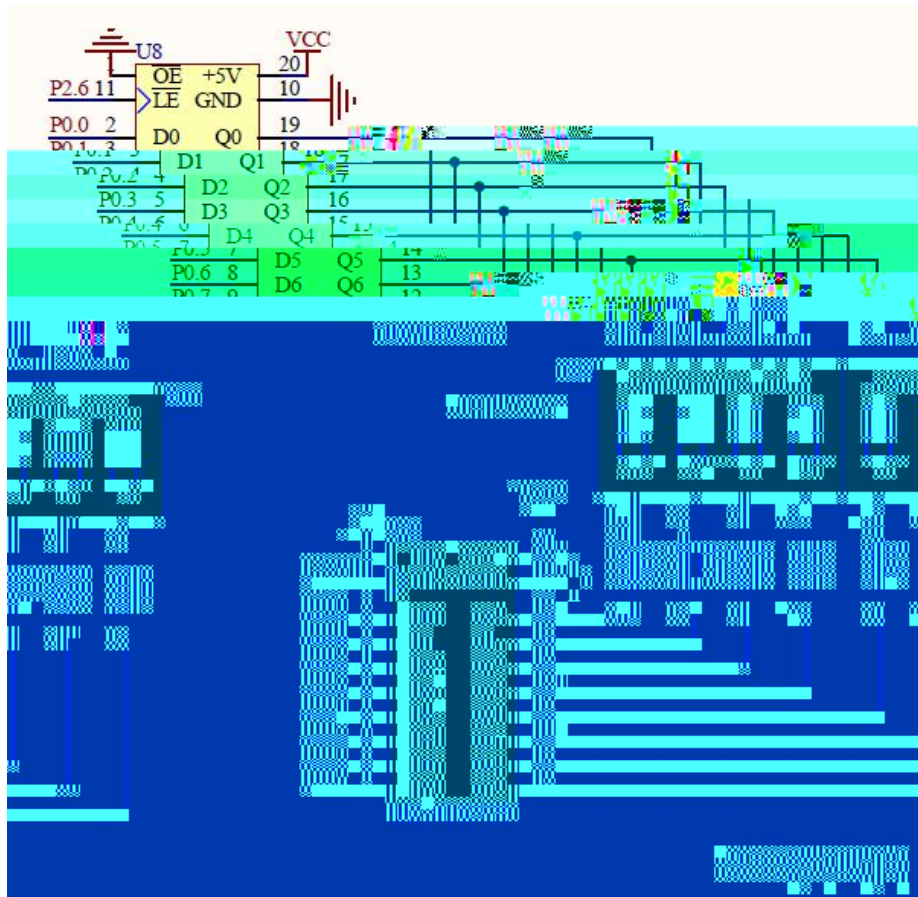








1



2

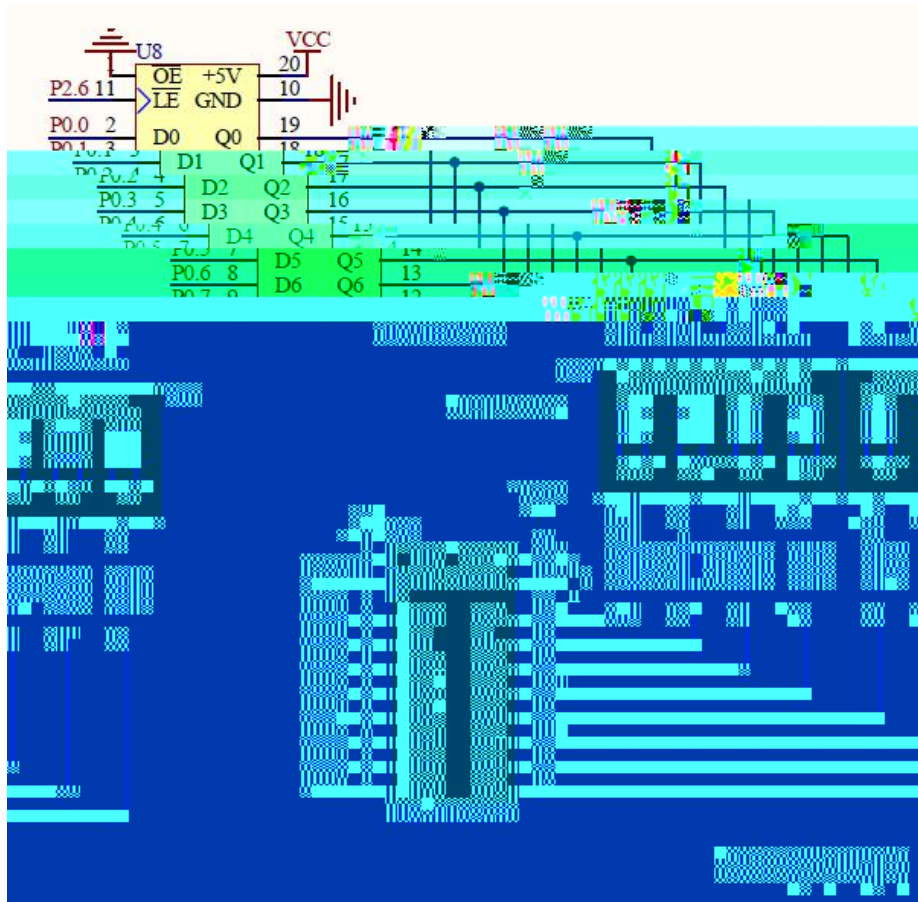
PCB

E

3



1



2

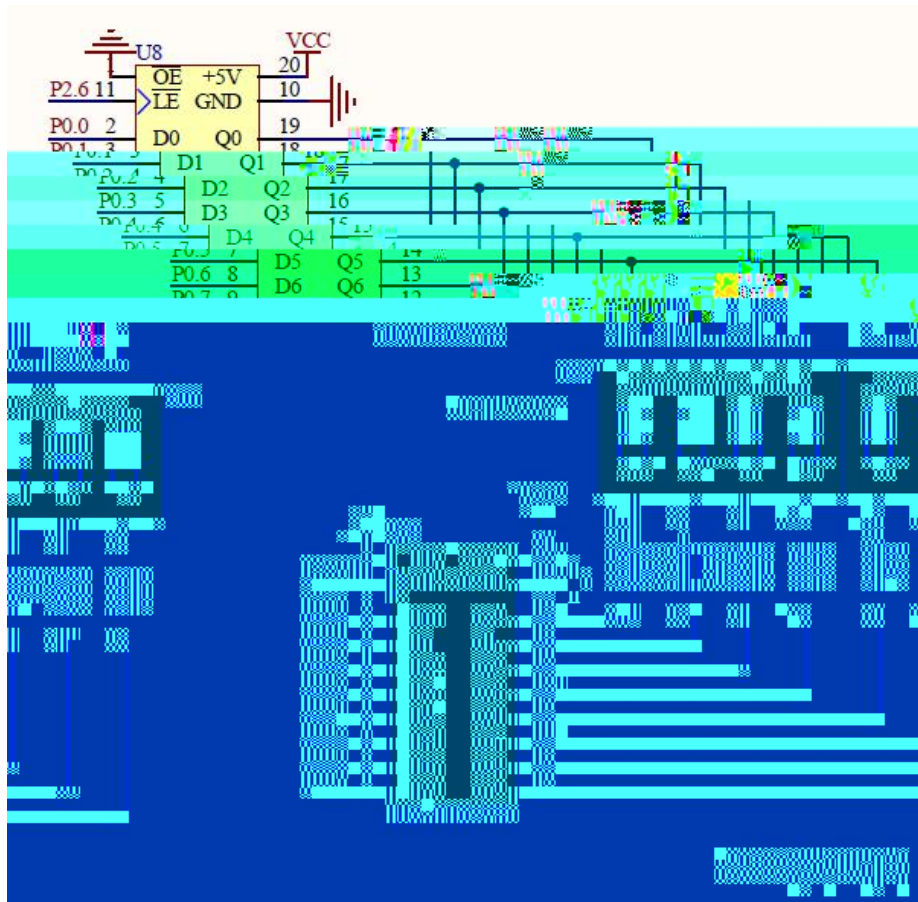
PCB

E

3



1



2

PCB

E

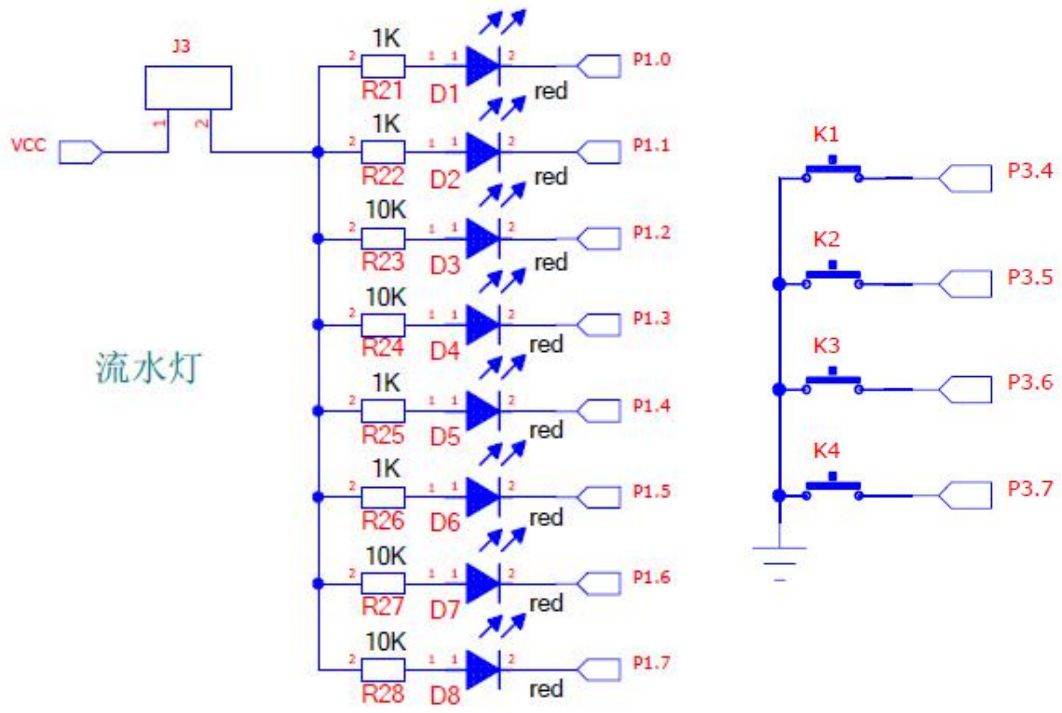
3





1

K1	D1	D2	D3	D4	K2	D5	D6	D7	D8	K3	8
										K4	8



2

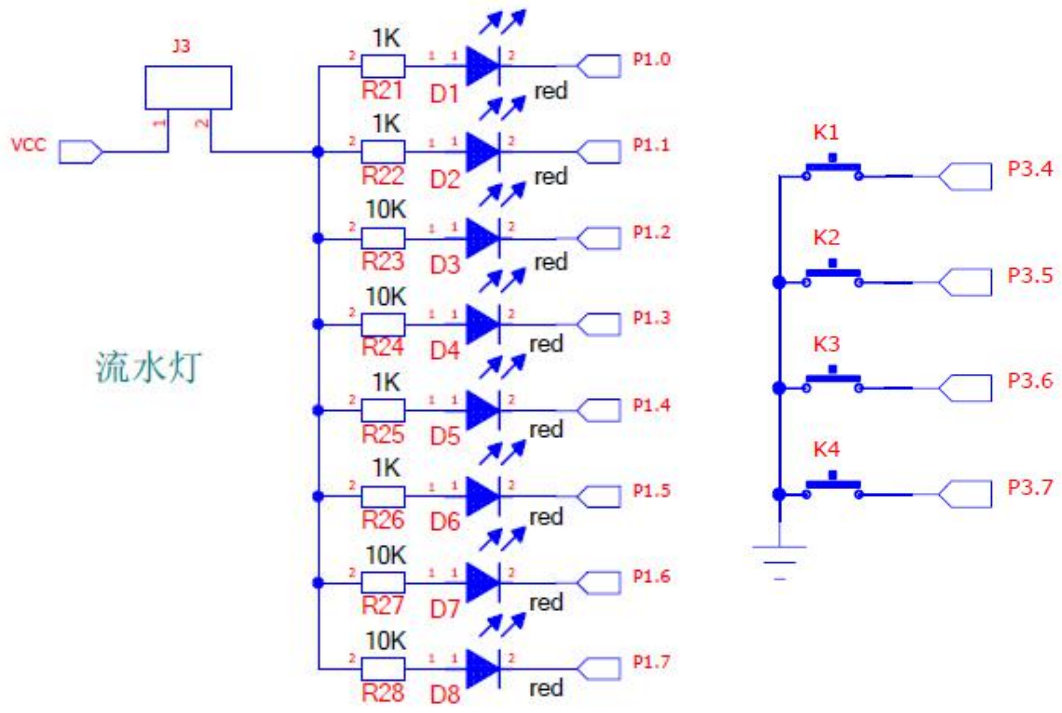
PCB  
E

3



1

K1 8



2

PCB  
E

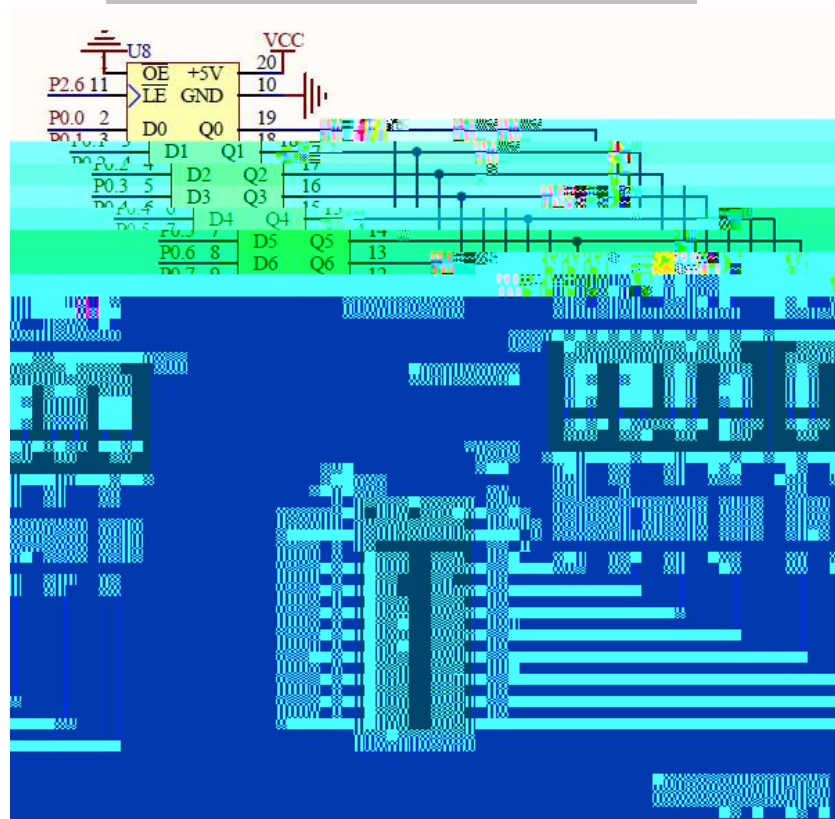
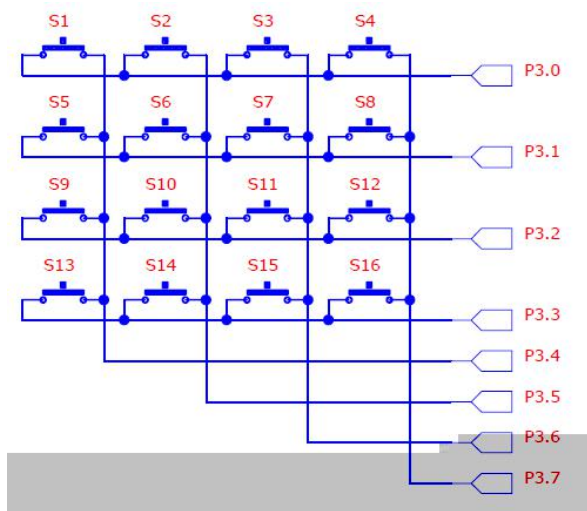
3



1

S1-S16

O-F



2

PCB

E

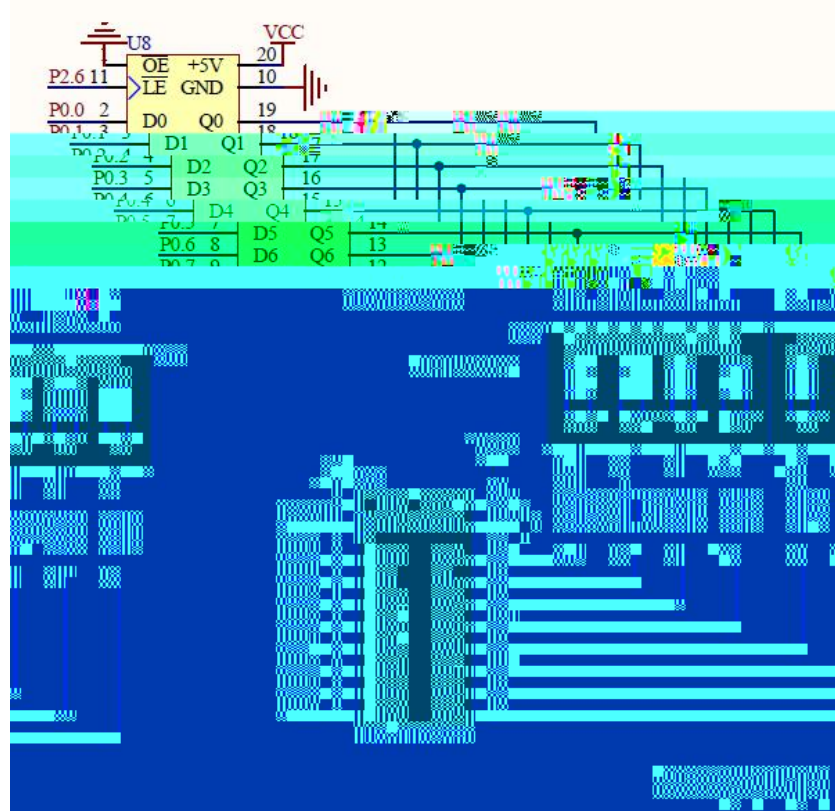
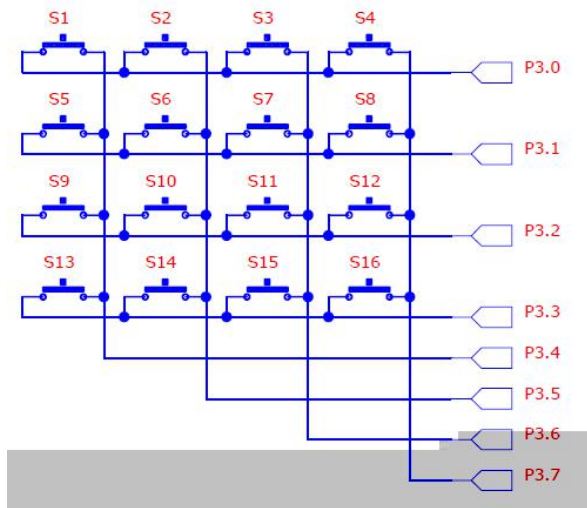
3

1

P3.2

9 0

1





2

PCB

E

3

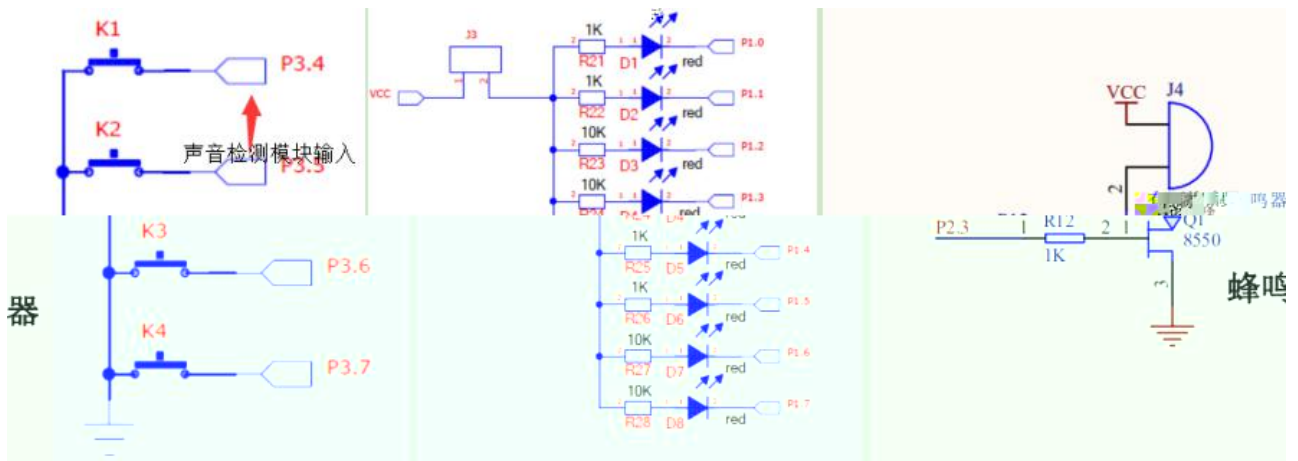
1

P3.4

1

P3.4

D1



1

2

PCB  
E

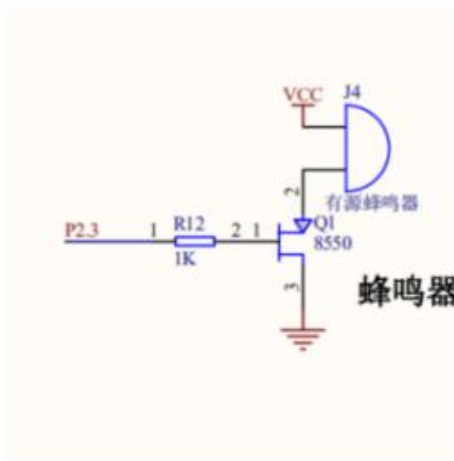
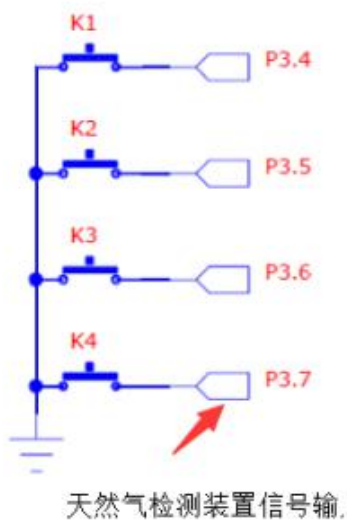
3

1

1

P3.7

P3.7



1

2

PCB  
E

3



1

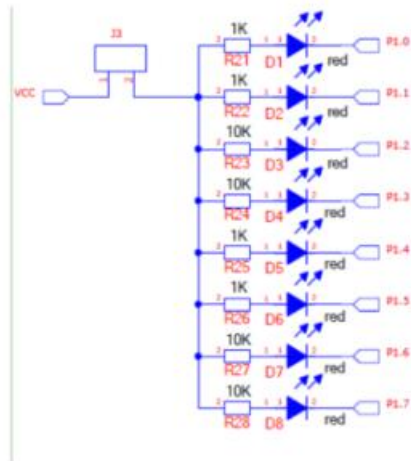
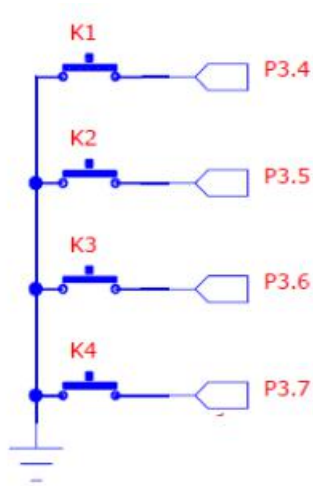
1

K1

D1

K2

D2



1

2

PCB

E

3

1

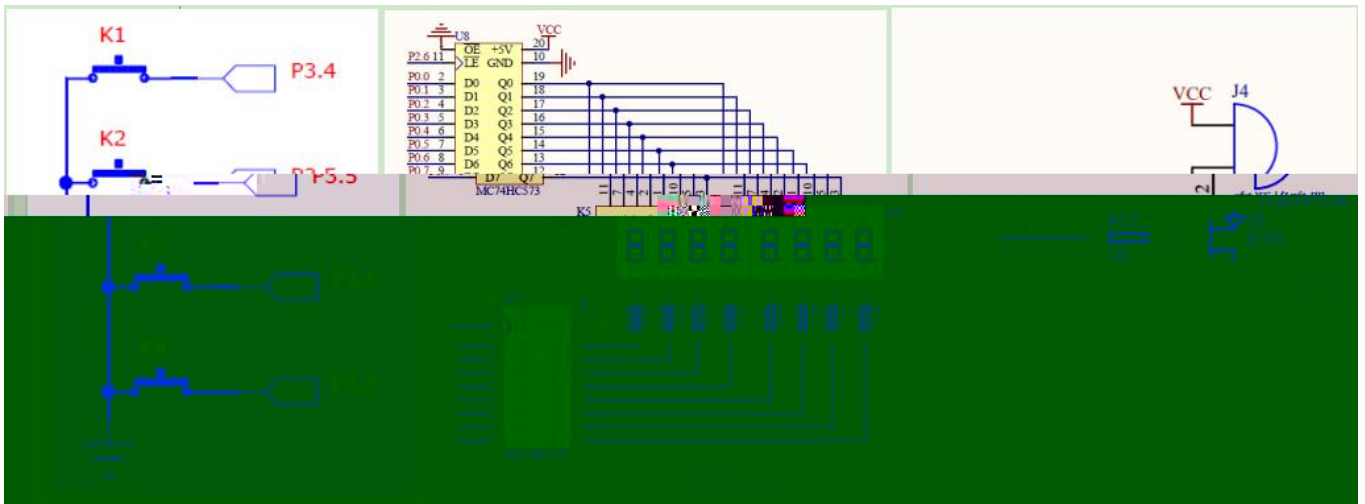
1

K1

K2 K3 K4

K1

" 1"



2

PCB

E

3



1

2



2

PCB

E

3



1

1

P3.6

P3.6



1

2

PCB

E

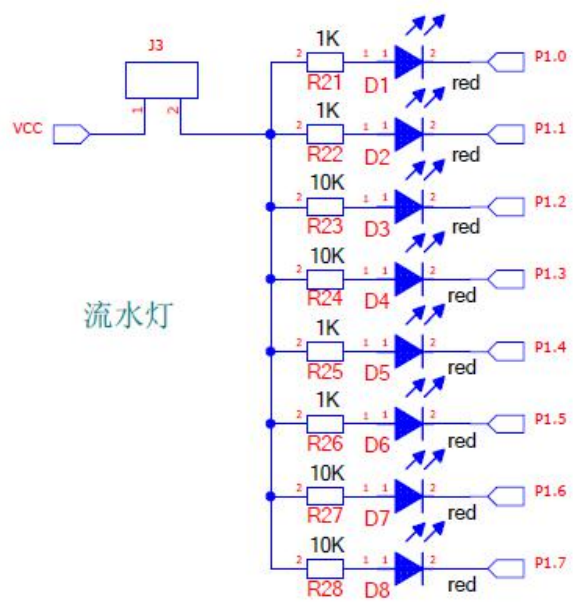
3

0



1

0.5S 0.5S



2

PCB

E

3



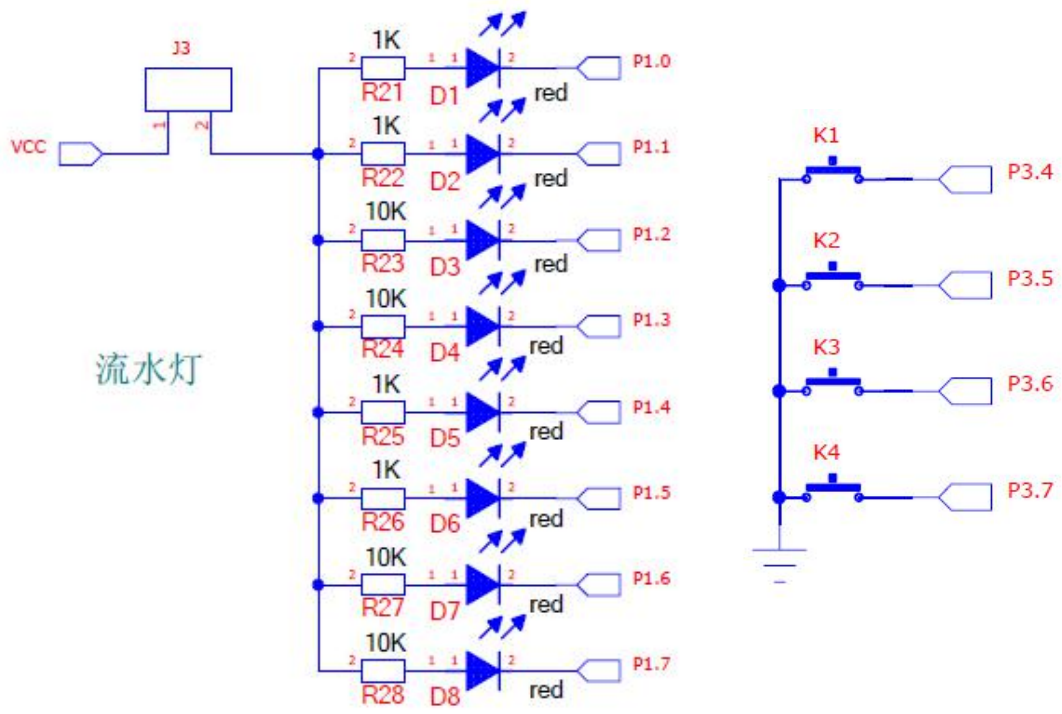
1

K1

D1-D4

K2

D5-D8



2

PCB

E

3



1

/ /

1

/ /

/ /

( )

/

1 0

20		10			0
			1		
		10	2		
			3		

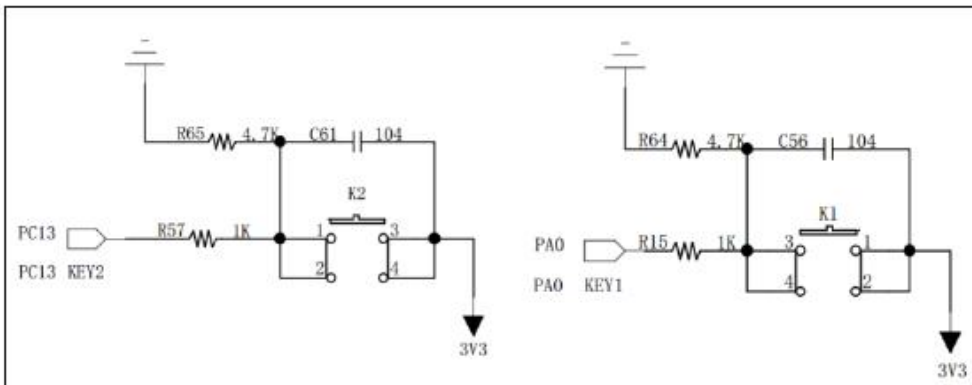
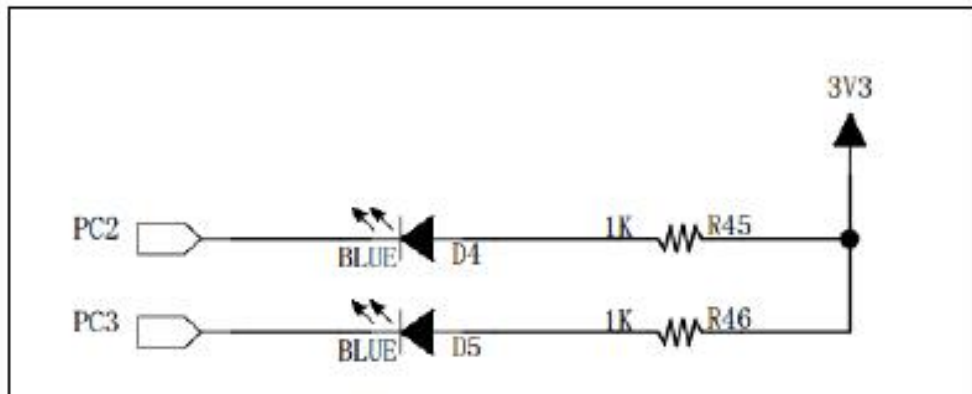
			4	
			5	
30		10		
		5		
		5		
		10		
50		5		
		5	1 2	PCB
		10		
		15	1 2 3	
		15		

5

18



1



2

3



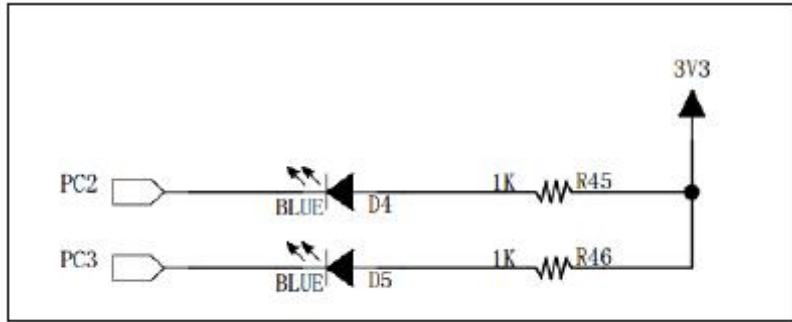
1



2

3

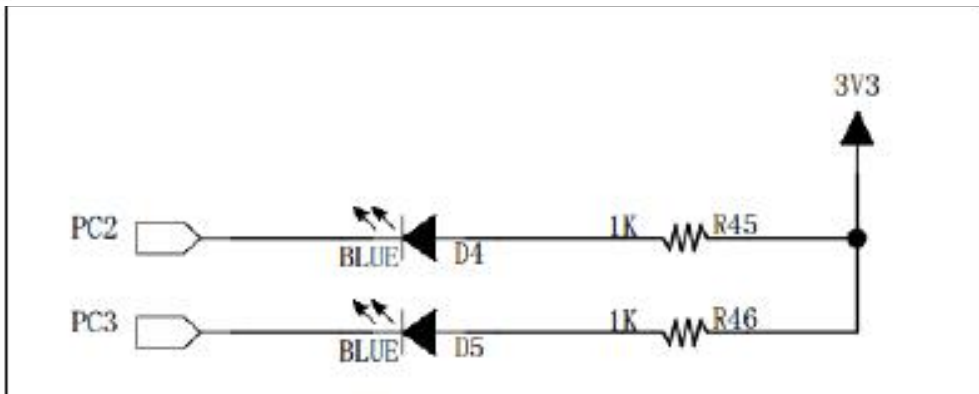
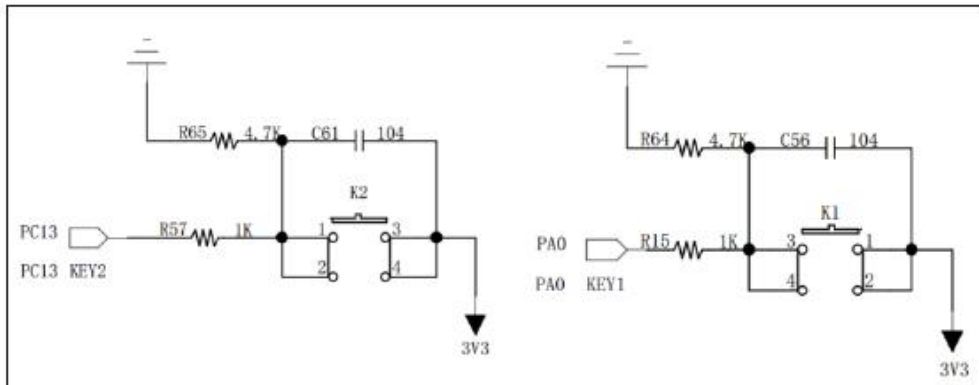
1



2

3

1



2

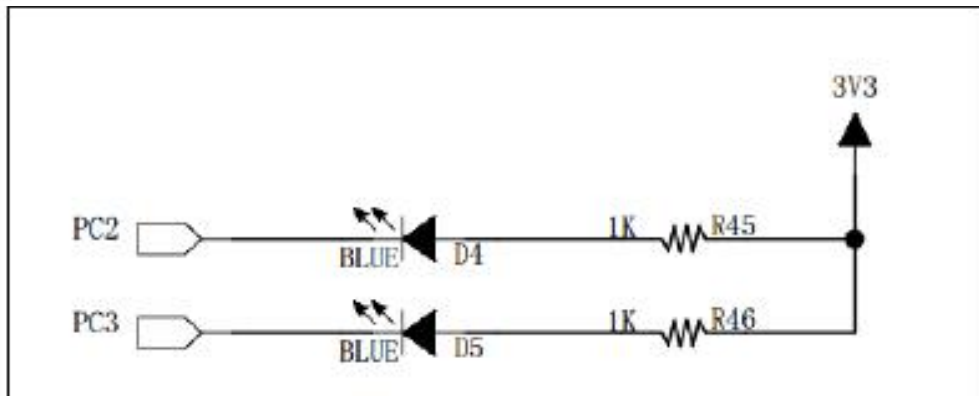
3



1



2



3





1

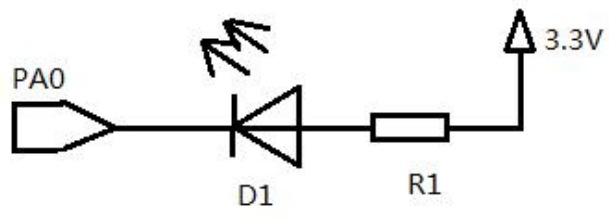
1	VBAT	VDD	64
2	PC13/ANT1	VSS	63
3	PC14/OSC32	PB9/TIM4_CH4/SDIO_D5	62
4	PC15/OSC32	PB8/TIM4_CH3/SDIO_D4	61
5	PD0/OSCIN	PA7/I2C1_SCL/TIM4_CH2	60
6	PD1/OSCOUT	PA6/I2C1_SDA/TIM4_CH1	59
7	NRS+	PB5/I2C1_SMBA/SPI3_MOSI/I2S3_SD	58
8	PC0/ADC10	PB4/JNTRST/SPI3_MISO	57
9	PC1/ADC11	PB3/JTDO/SPI3_SCK/I2S3_CK	56
10	PC2/ADC12	PC2/U5_RX/TIM3_ETR/SDIO_CMD	55
11	PC3/ADC13	PC12/U5_TX/SDIO_CK	54
12	VSSA	PC11/U4_RX/SDIO_D3	53
13	VDDA	PC10/U4_TX/SDIO_D2	52
14	PA0/WKUP/ADC0/TIM2_CH1_ETR/TIM5_CH1/TIM8_ETR	PA15/JTDI/SPI3_NSS/I2S3_WS	51
15	PA1/ADC1/TIM2_CH2/TIM5_CH2	PA14/JTCK/SWCLK	50
16	PA2/U2_TX/ADC2/TIM2_CH3/TIM5_CH3	VDD	49
17	PA3/U2_RX/ADC3/TIM2_CH4/TIM5_CH4		48
18			47
19			46
20			45
21			44
22			43
23			42
24			41
25			40
26			39
27			38
28			37
29			36
30			35
31			34
32			33
33			32
34			31
35			30
36			29
37			28
38			27
39			26
40			25
41			24
42			23
43			22
44			21
45			20
46			19
47			18
48			17
49			16
50			15
51			14
52			13
53			12
54			11
55			10
56			9
57			8
58			7
59			6
60			5
61			4
62			3
63			2
64			1

2

3



1



2

3

1

1	VBAT	VDD	64
2	PC13/ANT1	VSS	63
3	PC14/OSC32	PB9/TIM4_CH4/SDIO_D5	62
4	PC15/OSC32	PB8/TIM4_CH3/SDIO_D4	61
5	PD0/OSCIN	DD1/OSCOUT	60
6	PD1/OSCOUT	DD7/OSCIN	59
7	NRS	DD7/I2C1_SDA	58
8	PC0 ADC10	PB6 I2C1_SCL/TIM4_CH1	57
9	PC1 ADC11	PB5 I2C1_SMBA/SPI3_MOSI/I2S3_SD	56
10	PC2 ADC12	PB4 JNTRST/SPI3_MISO	55
11	PC3 ADC13	PB3 JTDO/SPI3_SCK/I2S3_CK	54
12	VSSA	PC2 U5_RX/TIM3_ETR/SDIO_CMD	53
13	VDDA	PC12 U5_TX/SDIO_CK	52
14	PA0 WKUP/ADC0-TIM2_CH1_ETR/TIM5_CH1/TIM8_ETR	PC11 U4_RX/SDIO_D3	51
15	PA1 ADC1-TIM2_CH2-TIM5_CH2	PC10 U4_TX/SDIO_D2	50
16	PA2 U2_TX/ADC2-TIM2_CH3-TIM5_CH3	PA15 JTDI/SPI3_NSS/I2S3_WS	49
17	PA3 U2_RX/ADC3-TIM2_CH4-TIM5_CH4	PA14 JTCK/SWCLK	48
18		VDD	47
19			46
20			45
21			44
22			43
23			42
24			41
25			40
26			39
27			38
28			37
29			36
30			35
31			34
32			33
33			32
34			31
35			30
36			29
37			28
38			27
39			26
40			25
41			24
42			23
43			22
44			21
45			20
46			19
47			18
48			17
49			16
50			15
51			14
52			13
53			12
54			11
55			10
56			9
57			8
58			7
59			6
60			5
61			4
62			3
63			2
64			1

2

3

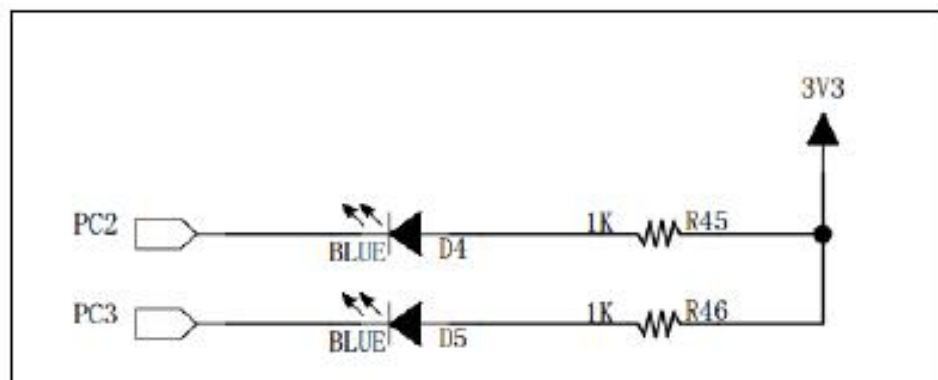
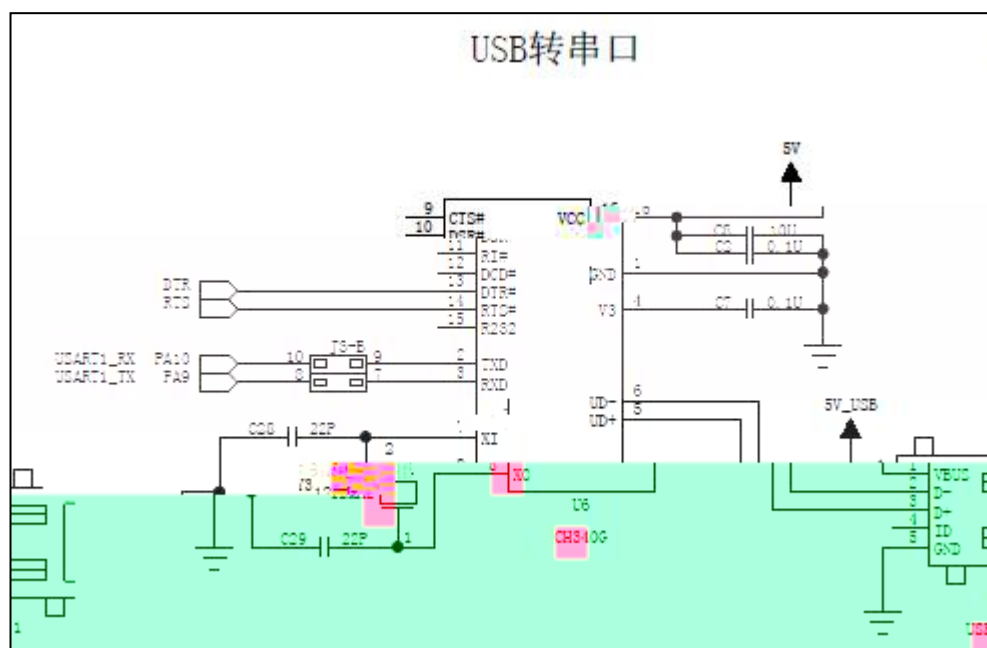




3

-

1



2



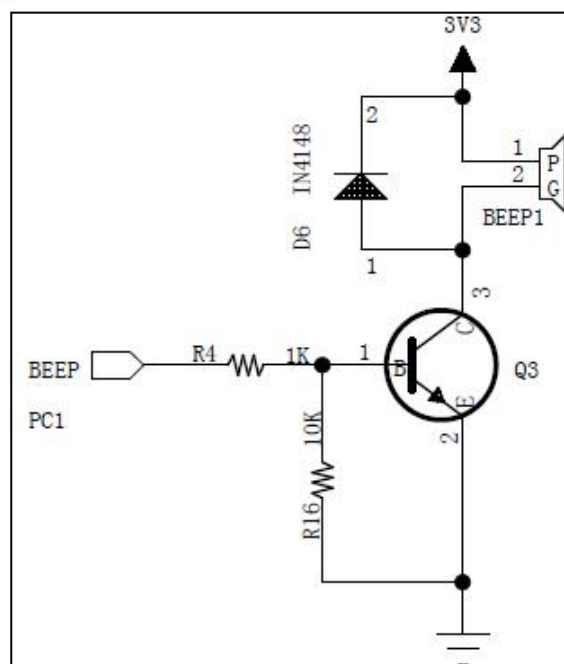
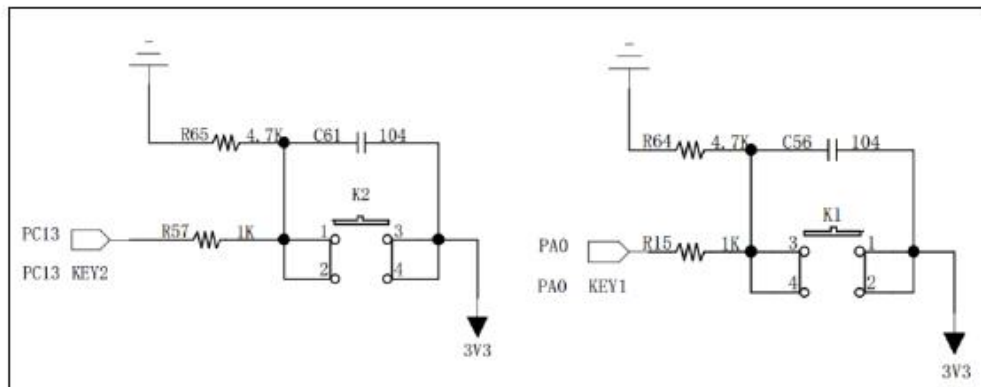
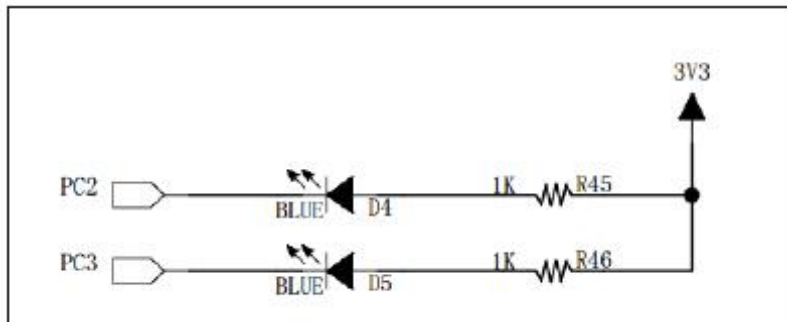
3

-

1

2



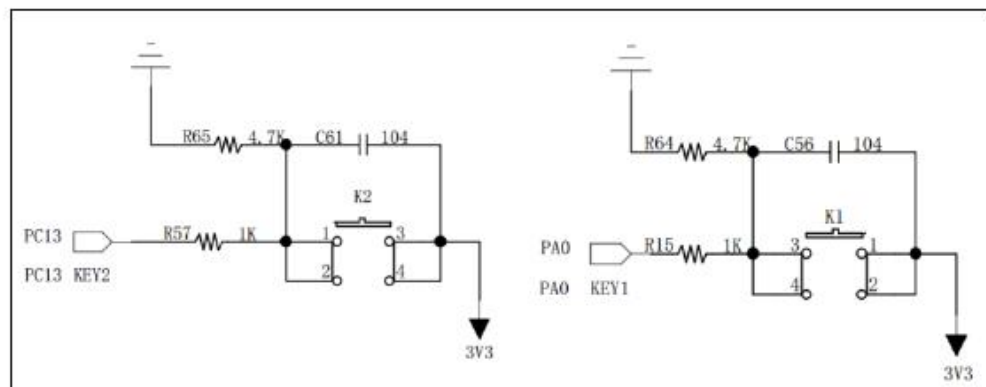
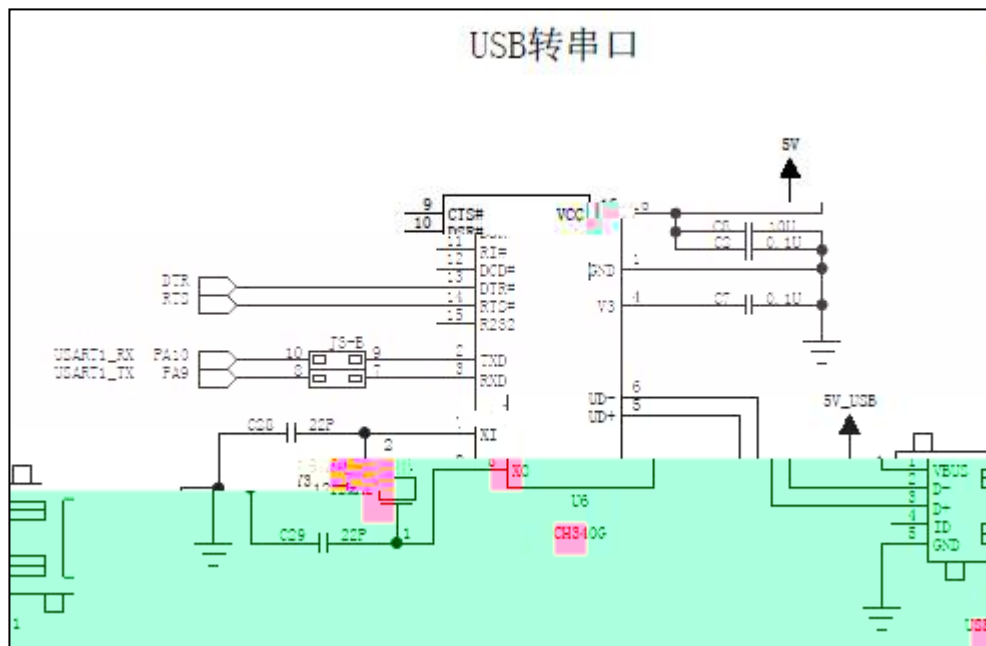


2

3

-

1

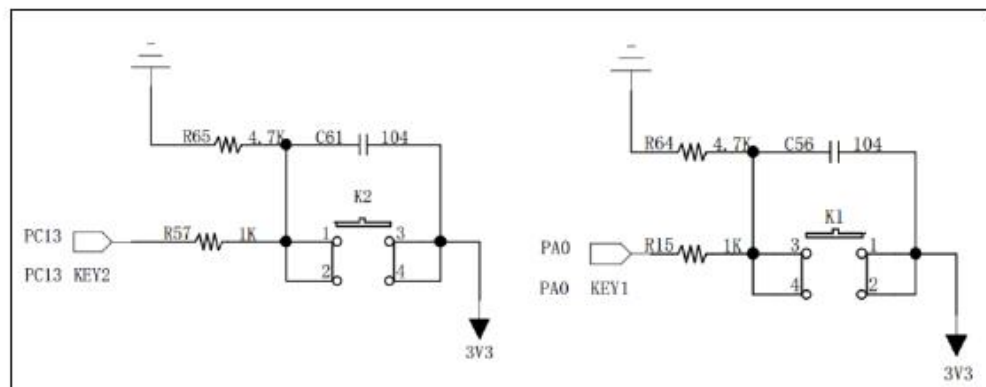
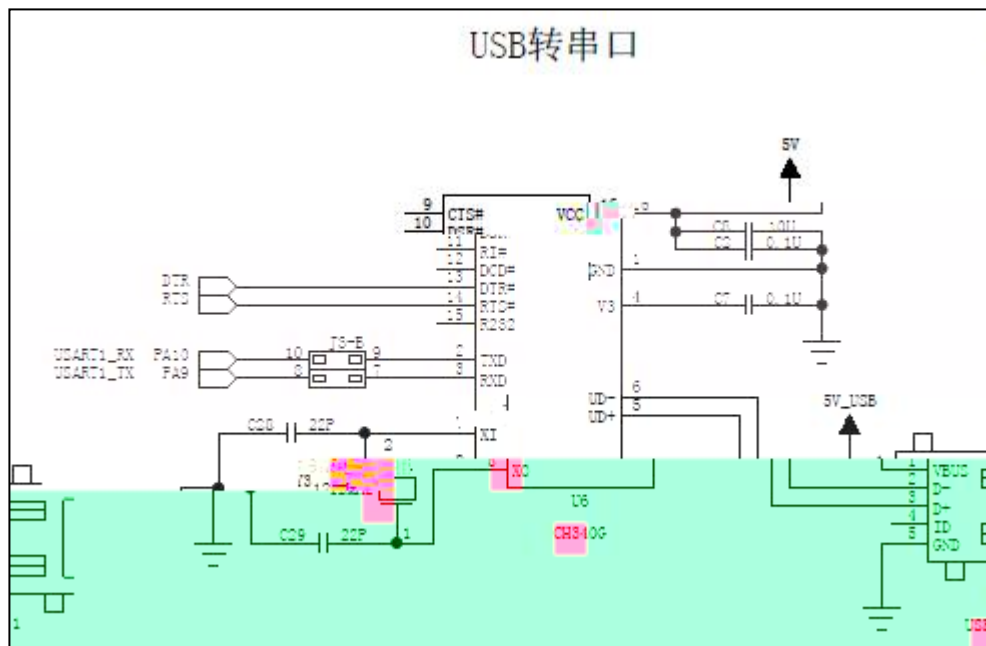


2

3

-

1

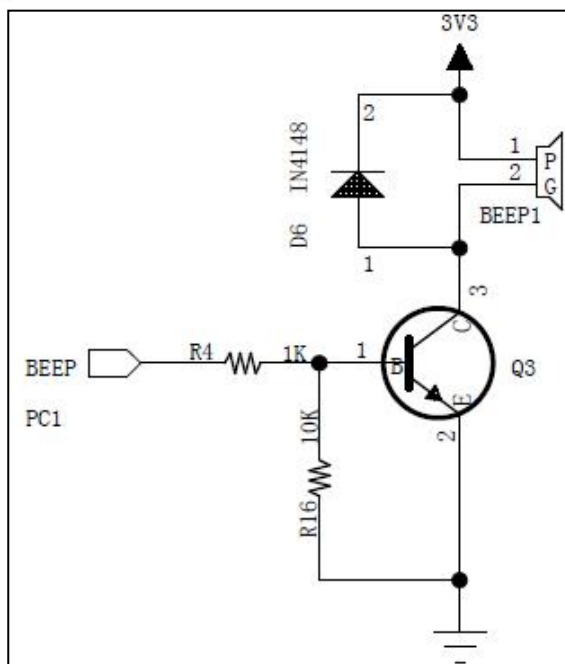


2



3

-

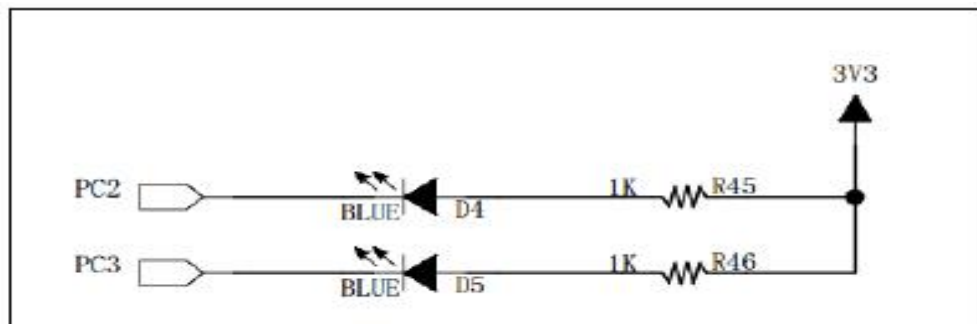


2

3

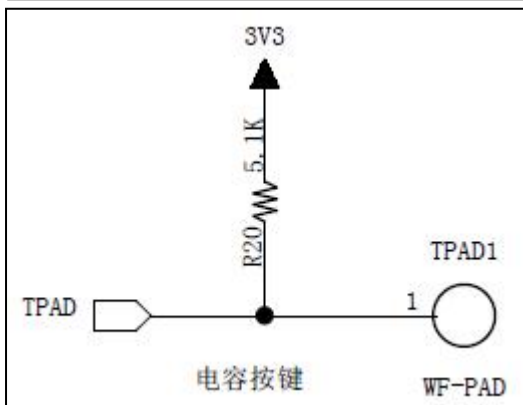
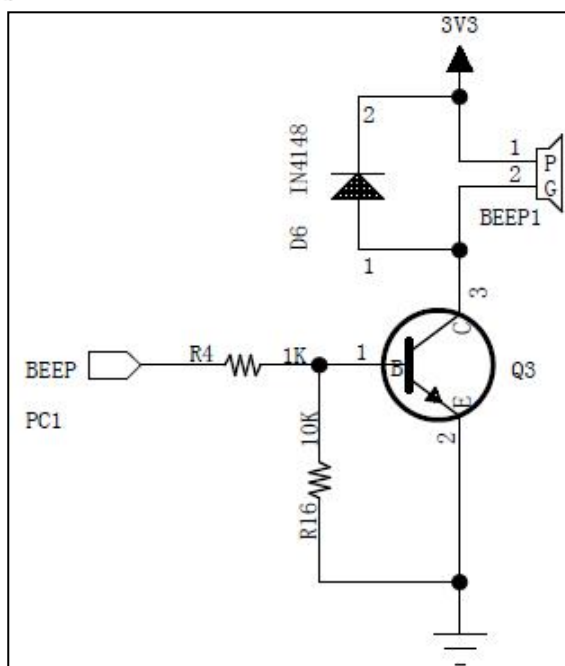
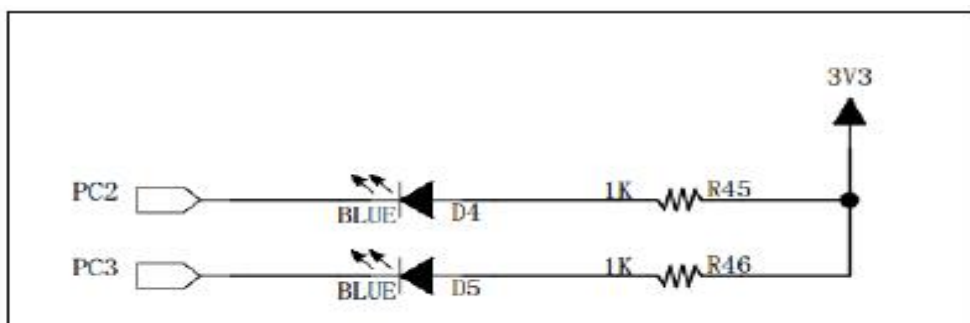
-

1



2

3

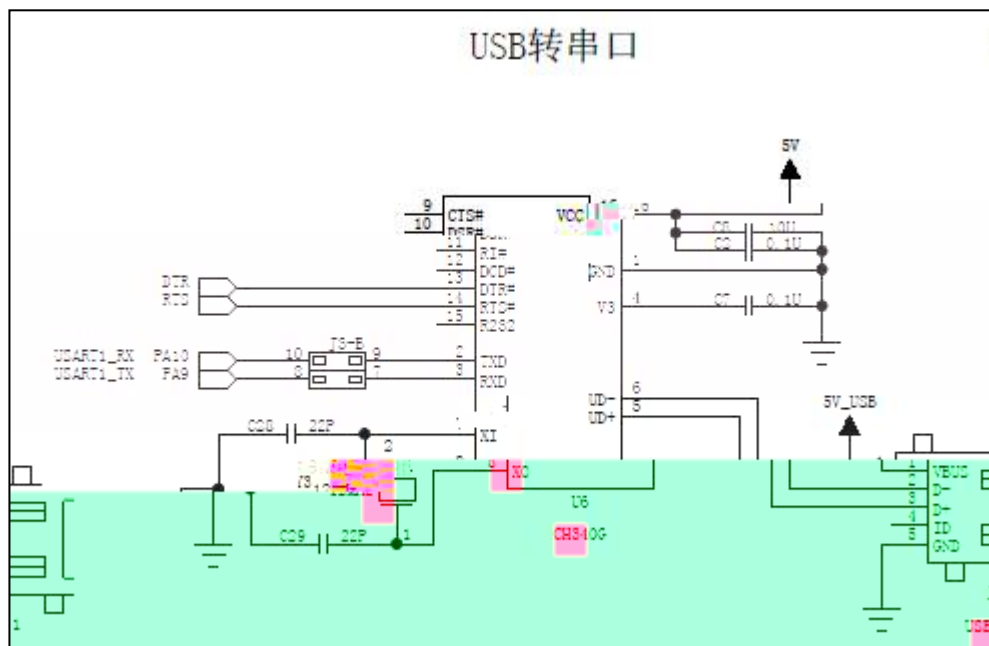


2

3

-

1



2

3

-



1

1

/ /

.0

/ /

( )

/

1 0

20		10			0	
			6			
			7			
		10	8			
			9			

			10	
30				
		10		
		10		
50				
		10		

5

18

1

2

20sp

RGB

#FF0000

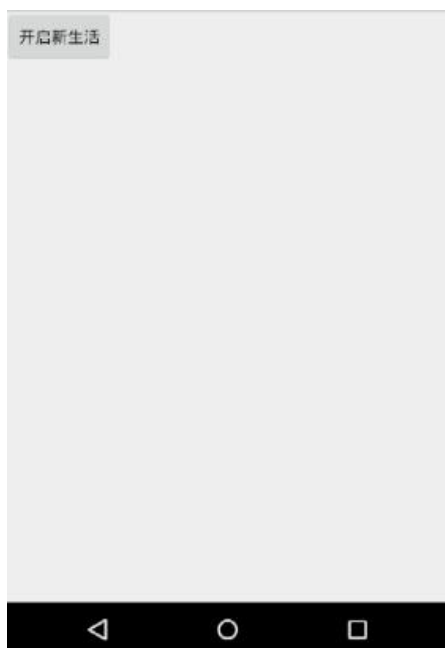
欢迎光临



3

:

2  
1



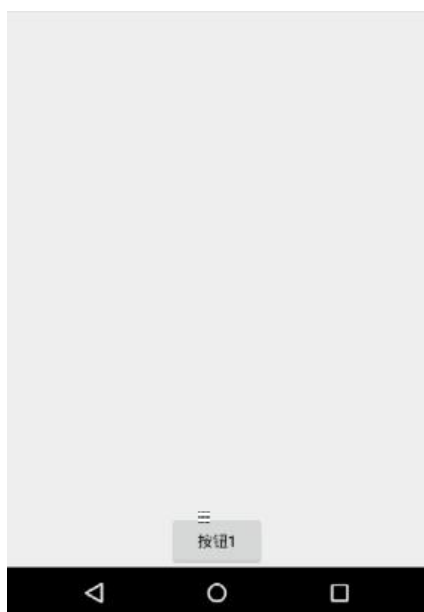
3 :

1

2

1

2



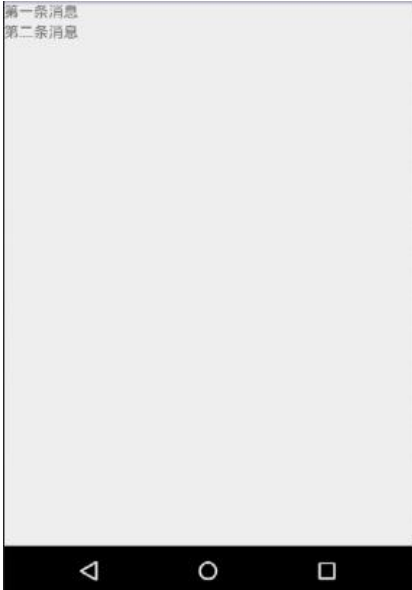
3

:

TextView

2

1



3

1

2

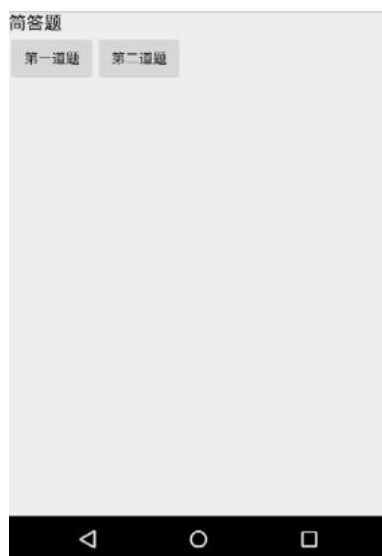


3

2

1

2



3



1

1 1 1 1

2

1

2

1 1 1 1



3

1

2

1



3

1

2

1

2



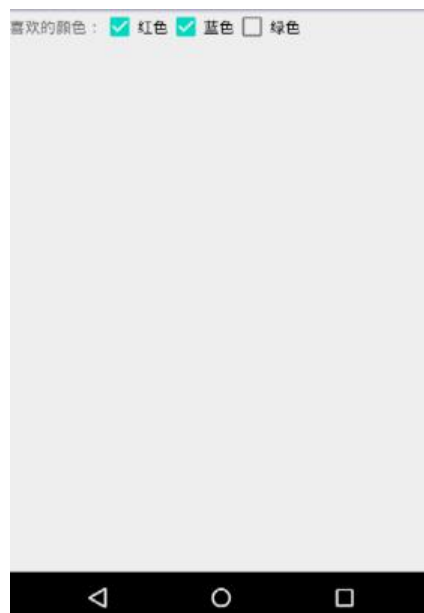
3

1

2

1

2

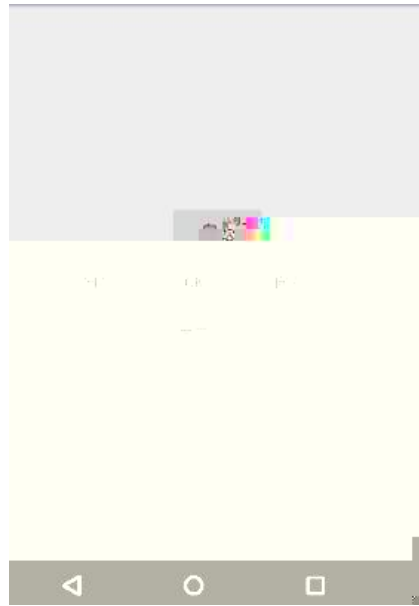


3

1

2

1



3

1

LED

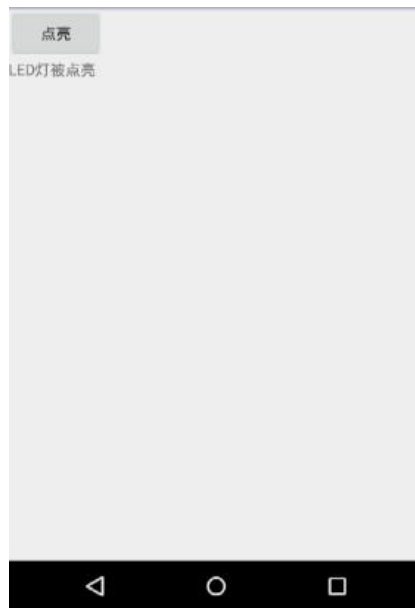
2

1

2

3

TextView LED



3

1

LED

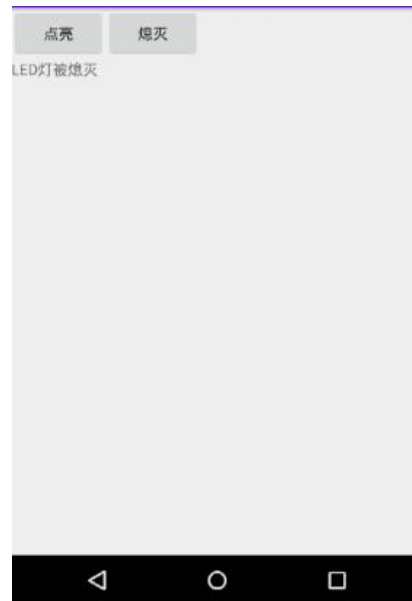
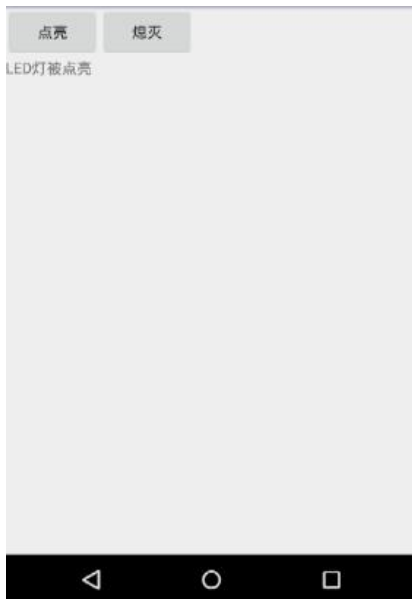
2

1

2

3

TextView LED



3

1

LED

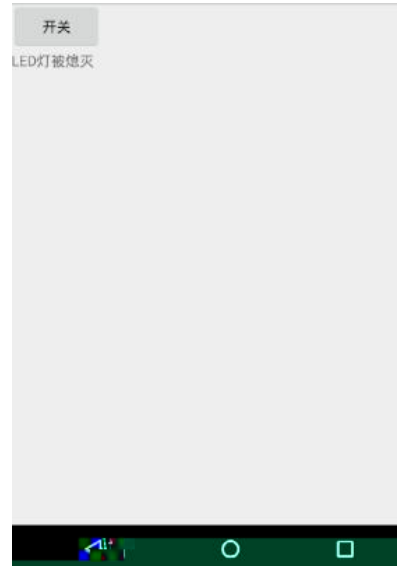
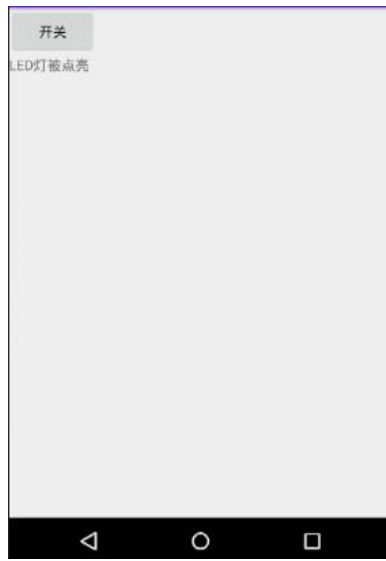
2

1

2

3

TextView LED



3



1

LED

2

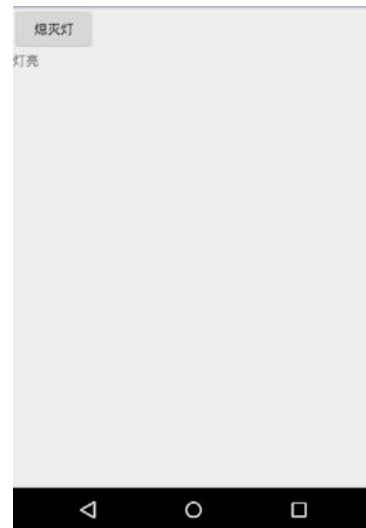
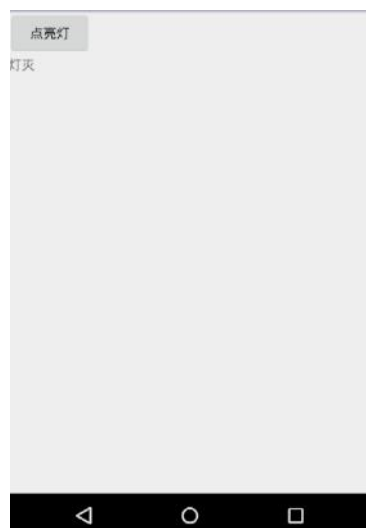
1

2

3

4

TextVi ew



3

1

LED

2

1

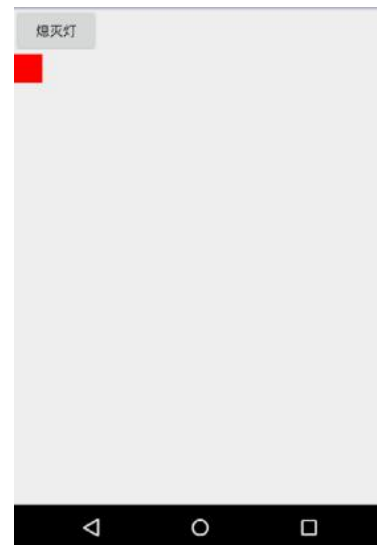
2

3

4

ImageView

30dp\*30dp



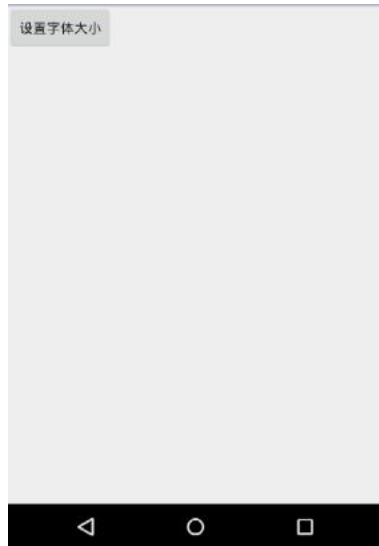
3

1

2

1

2



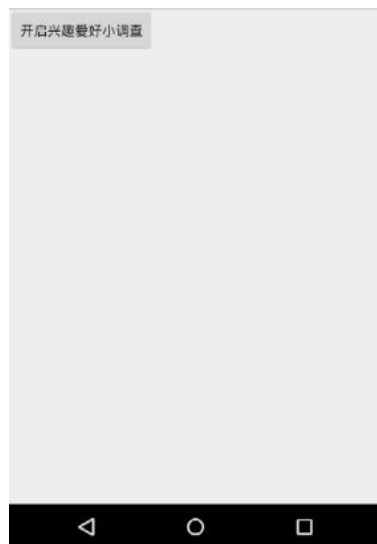
3

1

2

1

2



3